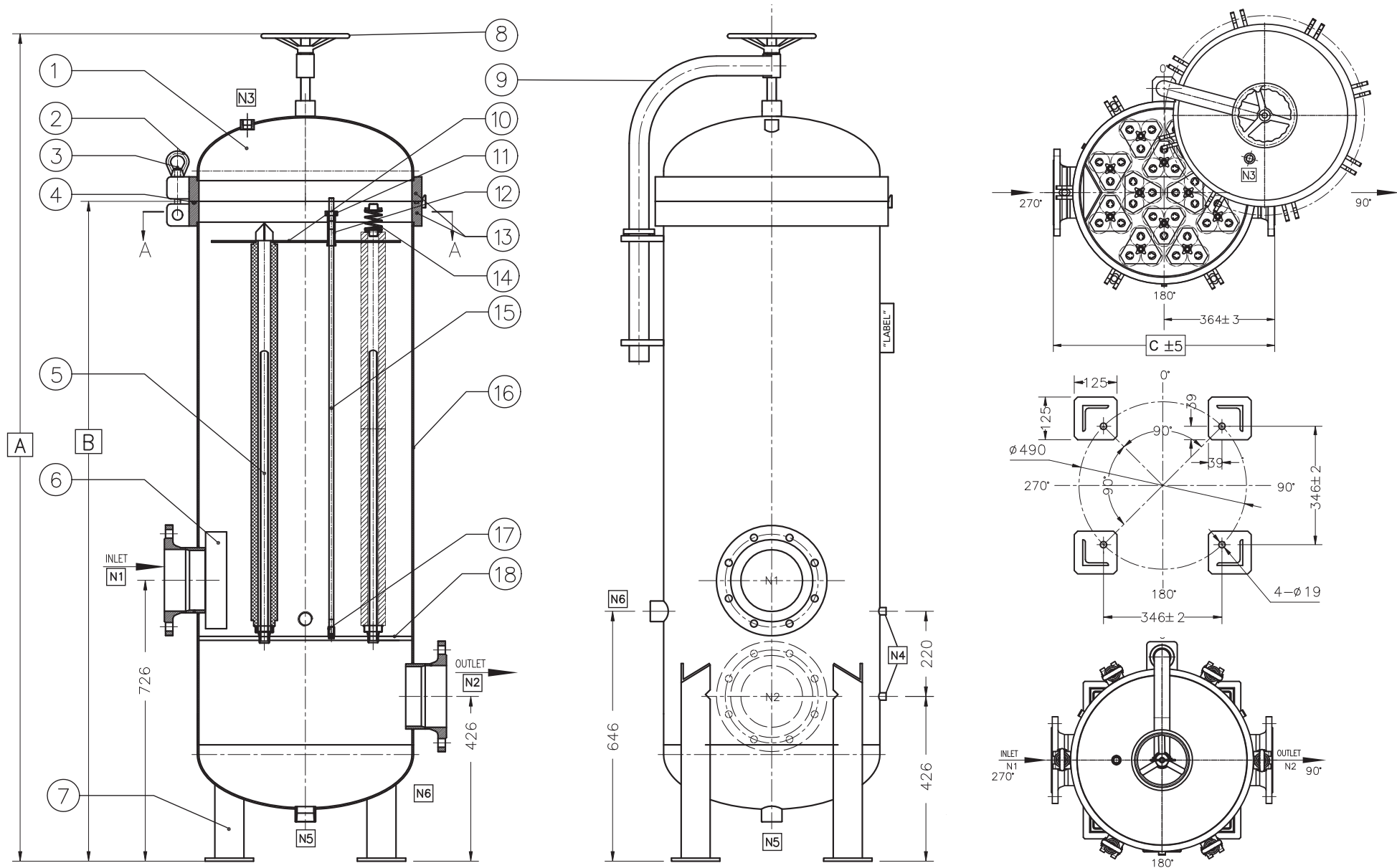


INOX PREMIER FILTER HOUSING

PFH-SPC-36 ROUND



INOX PREMIER FILTER HOUSING

PFH-SPC-36 ROUND

Overall Dimensions			
To Accommodate Filter Qty x Length	A mm	B mm	C mm
36 x 40"	2146	1704	728

Port Details					
No.	Type	Size	No.	Type	Size
N1	Inlet	DN150 PN16 (6" Flange)	N4	Gauge Port (x2)	¼" BSPT-F
N2	Outlet	DN150 PN16 (6" Flange)	N5	Drain	1" BSPT-F
N3	Vent	½" BSPT-F	N6	Dirty Drain	1" BSPT-F

Components					
No.	Name	Material	No.	Name	Material
1	Lid	316	10	Hold Down Plate (x12)	316L
2	Eye (x10)	304	11	Tightening Knob (x12)	316L
3	Swing Bolt (x10)	Zinc Plated Steel	12	Guide Bushing (x12)	316L
4	O-Ring	BUNA-N	13	Shell & Lid Flange	316L
5	V-Post (x36)	316L	14	Cartridge Spring Locator (x36)	316L
6	Baffle Plate	316L	15	M12 Tie Rod (x12)	316L
7	Legs (x4)	304	16	Body	316L
8	Davit Wheel	304	17	Tie Rod Retainer (x12)	316L
9	Davit Arm	304	18	Cartridge Cup Adaptor Plate	316L

Technical Information <ul style="list-style-type: none"> Pressure relief device should be installed on the outer piping by the customer to assure that pressure in the vessel can not exceed the design pressure indicated Vent, gauge and drain ports fitted with 316L PTFE taped plugs All dimensions are approximate in mm 	Maximum Operating Temperature	120°C
	Design Pressure	10 bar
	Hydrostatic Test Pressure	13 bar