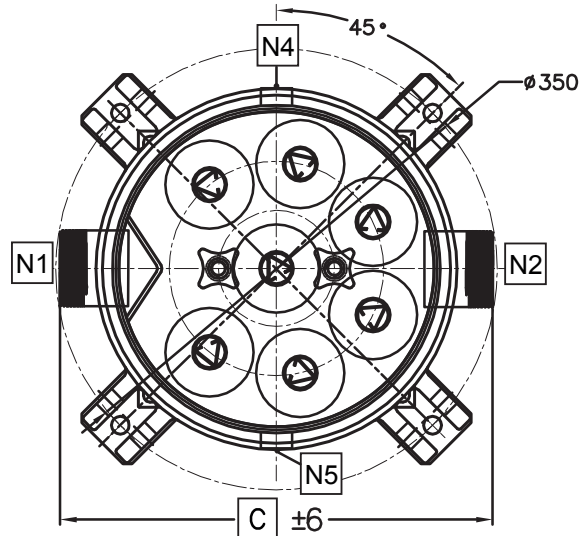
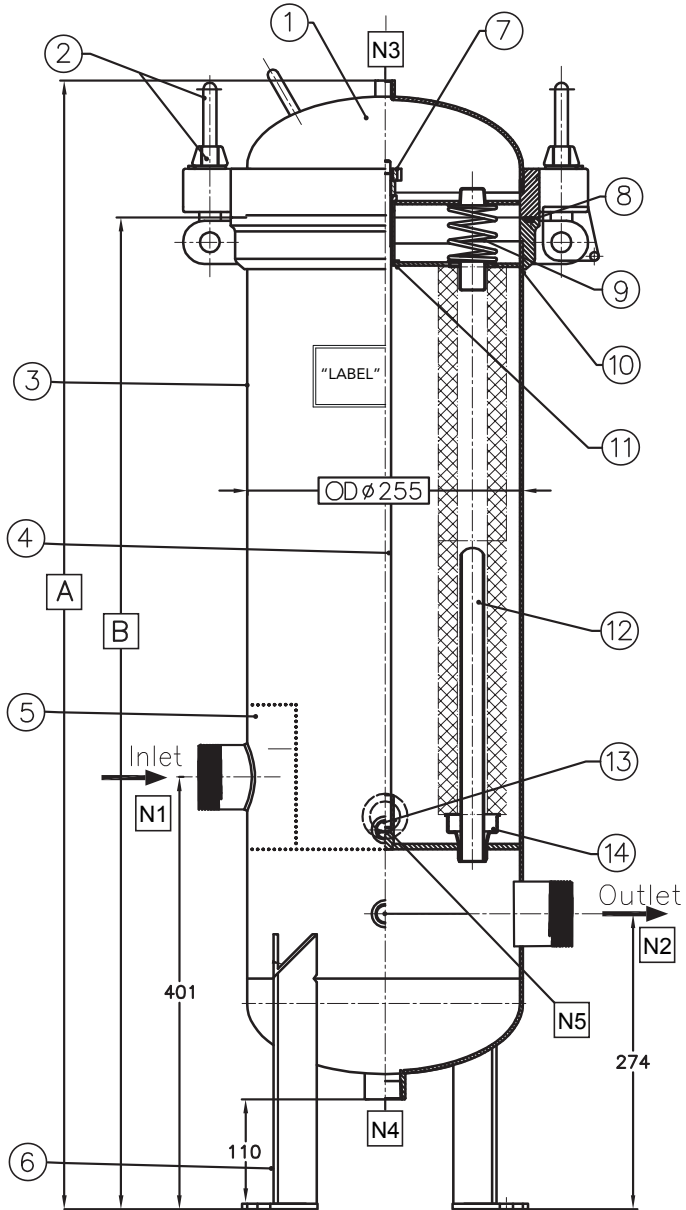


INOX PREMIER FILTER HOUSING

PFH-SPC-7



Overall Dimensions			
To Accommodate Filter Qty x Length	A mm	B mm	C mm
7 x 30"	1414	1174	343
7 x 40"	1668	1428	343

Port Details					
No.	Type	Size	No.	Type	Size
N1	Inlet	2" BSPT-M	N4	Drain (x2)	1/2" BSPT-F
N2	Outlet	2" BSPT-M	N5	Gauge (x2)	1/4" BSPT-F
N3	Vent	1/4" BSPT-F			

Components					
No.	Name	Material	No.	Name	Material
1	Lid	316L	8	O-Ring	BUNA-N
2	Eye & Swing Bolt (x3)	304/Zinc Plated Steel	9	Cartridge Locator Spring (x7)	316L
3	Body	316L	10	Hold Down Plate(x2)	316L
4	M12 Tie Rod (x2)	316L	11	Guide Bushing(x2)	316L
5	Baffle Plate	316L	12	V Post (x7)	316L
6	Legs (x4)	304	13	Tie Rod Retainer(x2)	316L
7	Tightening Knob(x2)	316L	14	Cartridge Cup Adaptor Plate	316L

Technical Information	Maximum Operating Temperature	120°C
	Design Pressure	10 bar
	Hydrostatic Test Pressure	13 bar

- Pressure relief device should be installed on the outer piping by the customer to assure that pressure in the vessel can not exceed the design pressure indicated
- Vent, gauge and drain ports fitted with 316L PTFE taped plugs
- All dimensions are approximate in mm