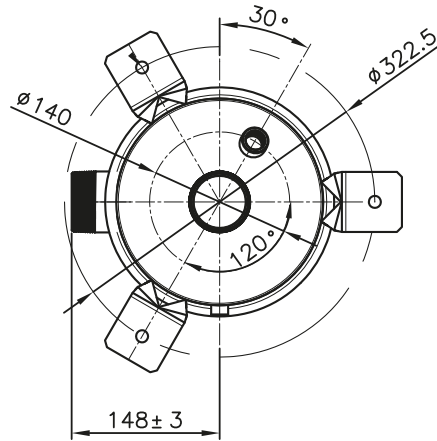
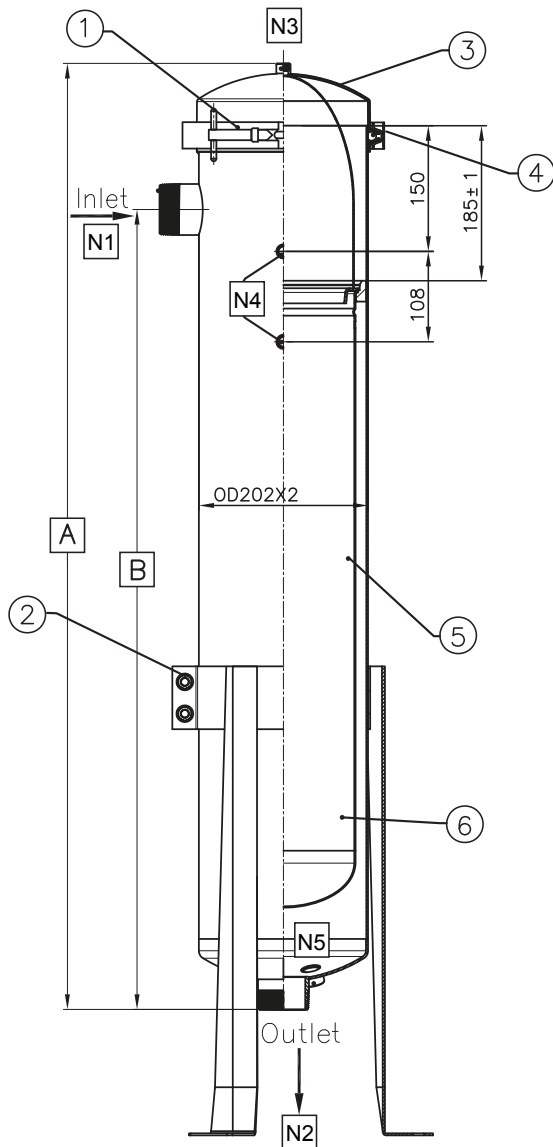


# INOX STANDARD SINGLE ROUND SIZE 1 & 2 BAG HOUSING SBH-SPC



Product Code	Nominal Dimension in mm	
	A	B
SBH-SPC-1-1-2-GP-ML	737	560
SBH-SPC-1-2-2-GP-ML	1132	955

Components					
No.	Name	Material	No.	Name	Material
1	V-Band Clamp	304 SS	4	Lid O-Ring	BUNA-N
2	Legs	304 SS	5	Basket	316L SS
3	Lid	316L SS	6	Body	316L SS

Port Details					
No.	Type	Size	No.	Type	Size
N1	Inlet	2" BSPM	N4	Gauge Port	1/4" BSPF
N2	Outlet	2" BSPM	N5	Drain	1/2" BSPF
N3	Vent	1/4" BSPF			

Technical Information	Maximum Operating Temperature	120°C
	<ul style="list-style-type: none"> <li>All dimensions are approximate in mm</li> <li>DWI listed, PED compliant</li> </ul>	Design Pressure