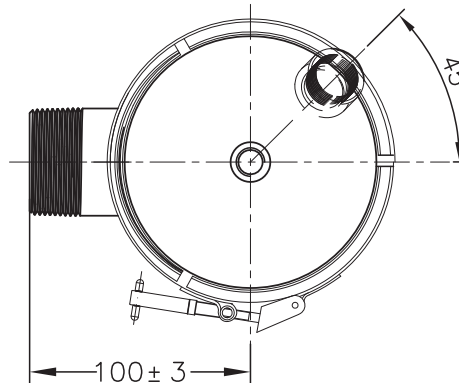
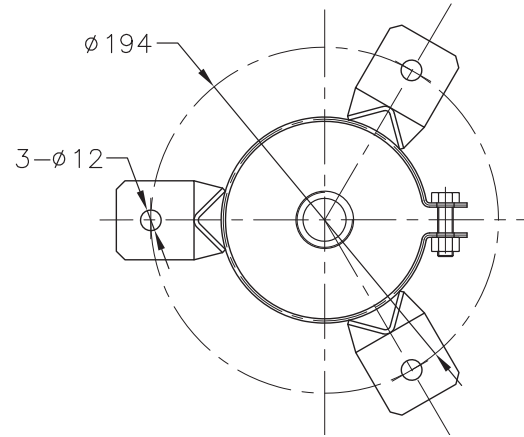
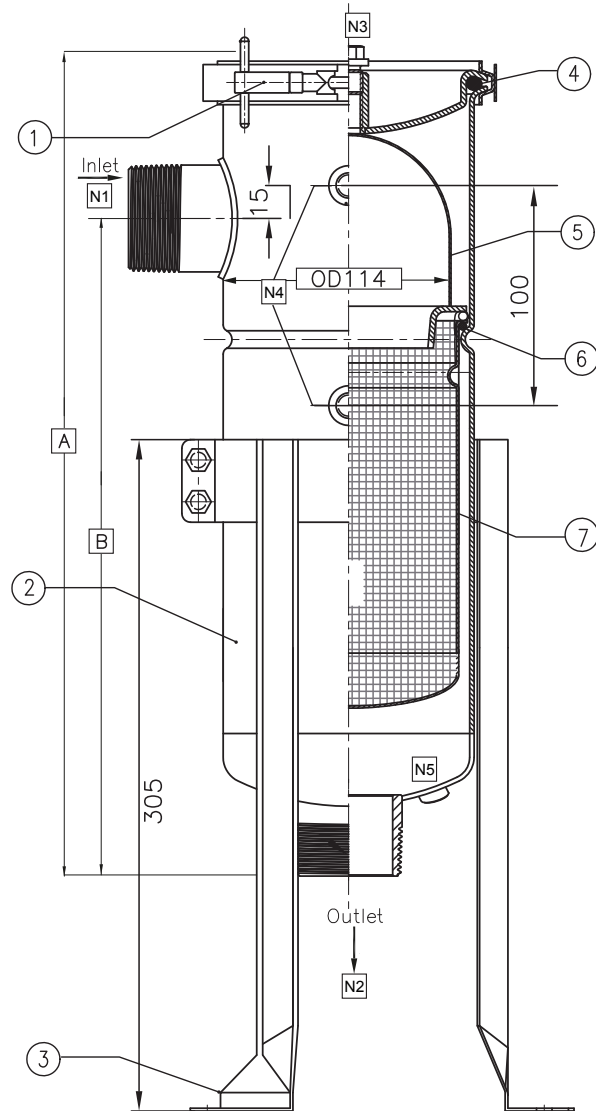


INOX STANDARD SINGLE ROUND SIZE 3 & 4 BAG HOUSING SBH-SPC



Product Code	Nominal Dimension in mm	
	A	B
SBH-SPC-1-3-1.5-GP-ML	370	299
SBH-SPC-1-4-1.5-GP-ML	525	454

Components					
No.	Name	Material	No.	Name	Material
1	V-band Clamp	304 SS	5	Bag Hold Down	316L SS
2	Shell	316L SS	6	Basket O-ring	BUNA-N
3	Legs	304 SS	7	Basket	316L SS
4	Lid O-ring	BUNA-N	8		

Port Details					
No.	Type	Size	No.	Type	Size
N1	Inlet	1.5" BSPM	N4	Gauge Port	¼" BSPF
N2	Outlet	1.5" BSPM	N5	Drain	½" BSPF
N3	Vent	¼" BSPF			

Technical Information	Maximum Operating Temperature	120°C
	<ul style="list-style-type: none"> All dimensions are approximate in mm DWI listed, PED compliant 	Design Pressure