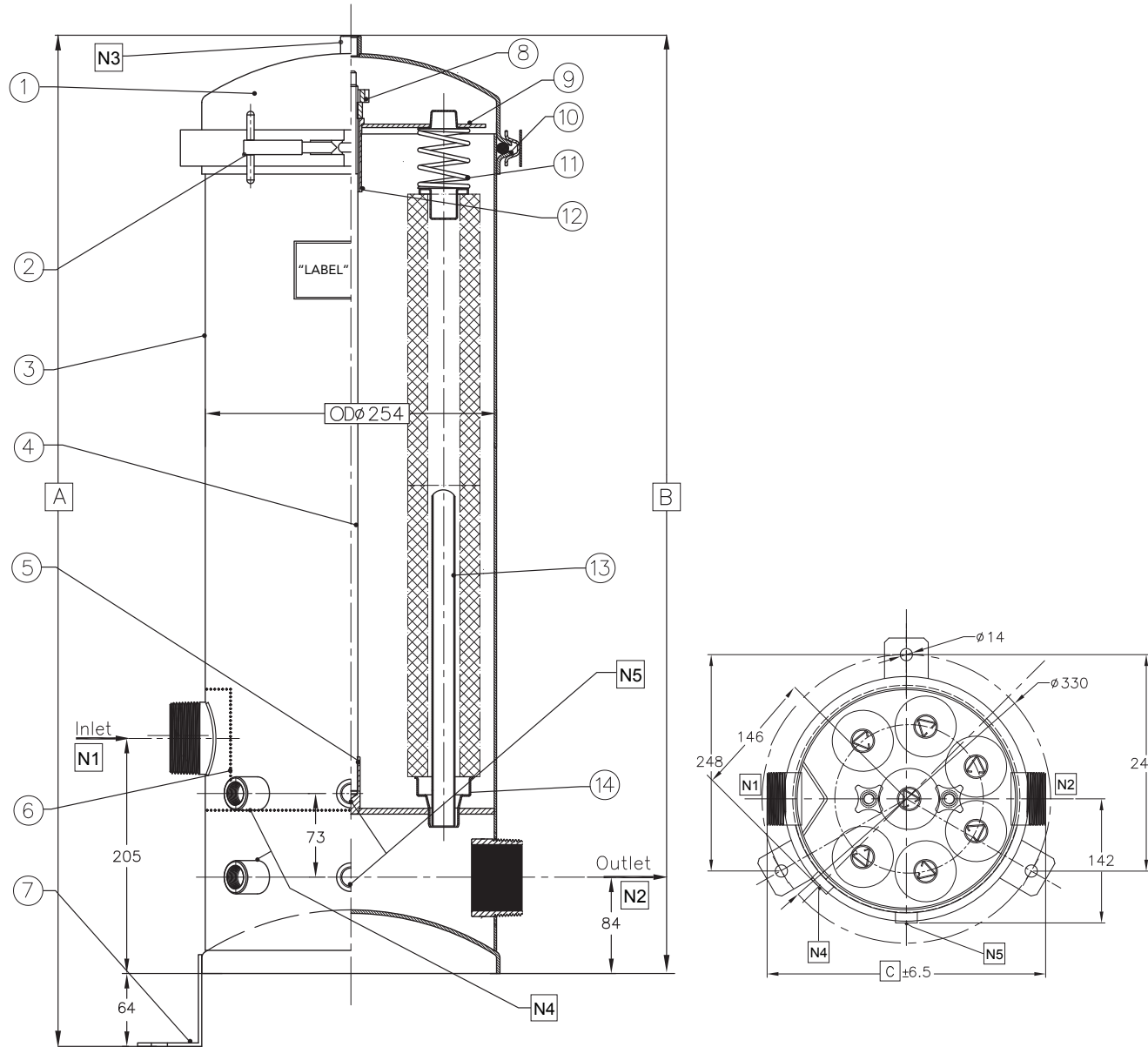


# INOX STANDARD FILTER HOUSING

## SFH-SPC-7



Overall Dimensions			
To Accommodate Filter Qty x Length	A mm	B mm	C mm
7 x 10"	631	567	316
7 x 20"	885	821	316
7 x 30"	1139	1075	316
7 x 40"	1393	1329	316

Port Details					
No.	Type	Size	No.	Type	Size
N1	Inlet	2" BSPT-M	N4	Drain (x2)	1/2" BSPT-F
N2	Outlet	2" BSPT-M	N5	Gauge (x2)	1/4" BSPT-F
N3	Vent	1/4" BSPT-F			

Components					
No.	Name	Material	No.	Name	Material
1	Lid	316L	8	Tightening Knob (x2)	316L
2	V-Clamp	304	9	Hold Down Plate	316L
3	Body	316L	10	O-Ring	BUNA-N
4	M12 Tie Rod (x2)	316L	11	Cartridge Locator Spring (x7)	316L
5	Tie Rod Retainer (x2)	316L	12	Guide Bushing	316L
6	Baffle Plate	316L	13	V Post (x7)	316L
7	Legs (x3)	304	14	Cartridge Cup Adaptor Plate	316L

Technical Information	Maximum Operating Temperature	120°C
<ul style="list-style-type: none"> <li>Pressure relief device should be installed on the outer piping by the customer to assure that pressure in the vessel can not exceed the design pressure indicated</li> <li>Vent and gauge ports are fitted with 316L PTFE taped plugs</li> <li>All dimensions are approximate in mm</li> </ul>	Design Pressure	10 bar
	Hydrostatic Test Pressure	10 bar